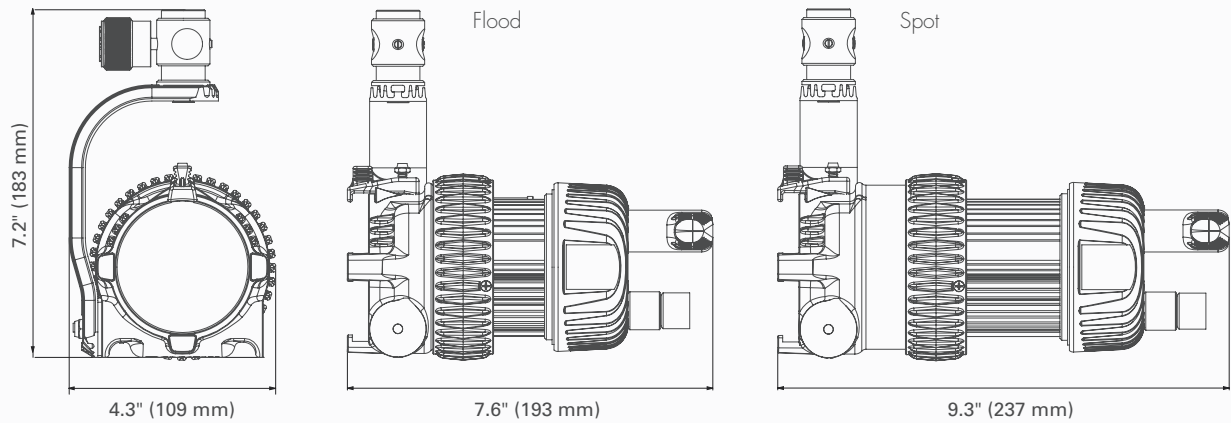


DLED7 TURBO TECHNICAL DATA

DLED7-D, DLED7-T, DLED7-BI



FOCUSING LED LIGHT HEAD: DLED7-D, DLED7-T, DLED7-BI

Focus Range (Intensity Range)	60°-6° (1:20) with optional aspheric wide-angle attachment: 85-54°
Focus Control	One complete turn on focus ring
Power	Max. Power Consumption 90W Even for bicolor version, which operates, alternating between 2x90W light sources
Mounting	5/8" (16 mm) receptacle and 1 1/8" (28 mm) stud
Operating Position	Any
Tilt Control	Permanent friction
Accessory Holder	3" (76 mm) diameter
Safety	Protection Class III, SELV, IP20
Cooling	Active Silent Cooling
UV	No UV radiation
Weight	2.9lb (1,300g)

DLED7-D Focusing LED Light Head. Daylight approx. 5600K

Distance	Meter	1	2	3	4	5
	Feet	3'	6'	9'	12'	15'
Flood	Lux	2,500	625	278	156	100
	Foot Candle	232	58	26	15	9.3
Medium	Lux	4,675	1,169	519	292	187
	Foot Candle	435	109	48	27	17.4
Spot	Lux	38,000	9,500	4,222	2,375	1,520
	Foot Candle	3,532	883	392	221	141

DLED7-T Focusing LED Light Head. Tungsten approx. 3200K

Distance	Meter	1	2	3	4	5
	Feet	3'	6'	9'	12'	15'
Flood	Lux	2,250	563	250	141	90
	Foot Candle	209	52	23	13	8.4
Medium	Lux	4,208	1,070	476	263	168
	Foot Candle	391	99	44	24	16
Spot	Lux	31,000	7,750	3,444	1,938	1,240
	Foot Candle	2,881	720	320	180	115

DLED7-BI Focusing LED Light Head. Bicolor measured at 5600K – daylight

Color temperature continuously adjustable from 2700 – 6500K

Distance	Meter	1	2	3	4	5
	Feet	3'	6'	9'	12'	15'
Flood	Lux	2,600	650	289	163	104
	Foot Candle	243	61	27	15	9.7
Medium	Lux	4,680	1,170	520	293	187
	Foot Candle	435	109	48	27	17.4
Spot	Lux	21,000	5,250	2,333	1,313	840
	Foot Candle	1,952	488	217	122	78

Bicolor in tungsten function ~ 15 % lower output